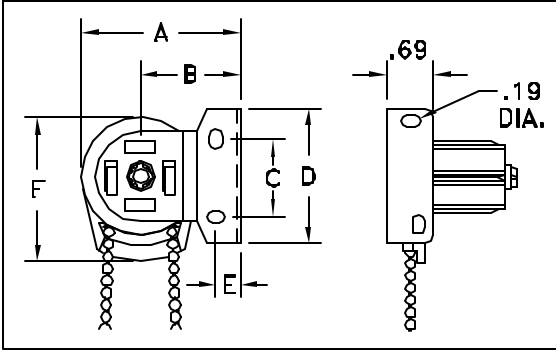
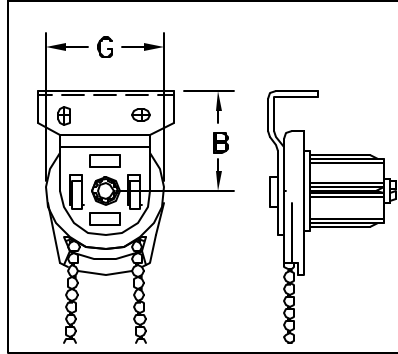


# CLUTCH HARDWARE SPECIFICATIONS

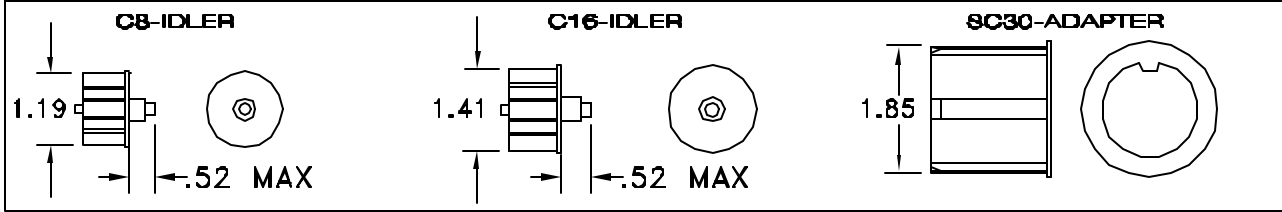
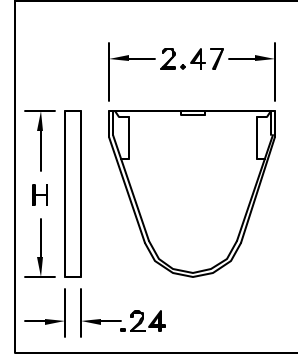
## WALL or INSIDE MOUNT



## CEILING MOUNT



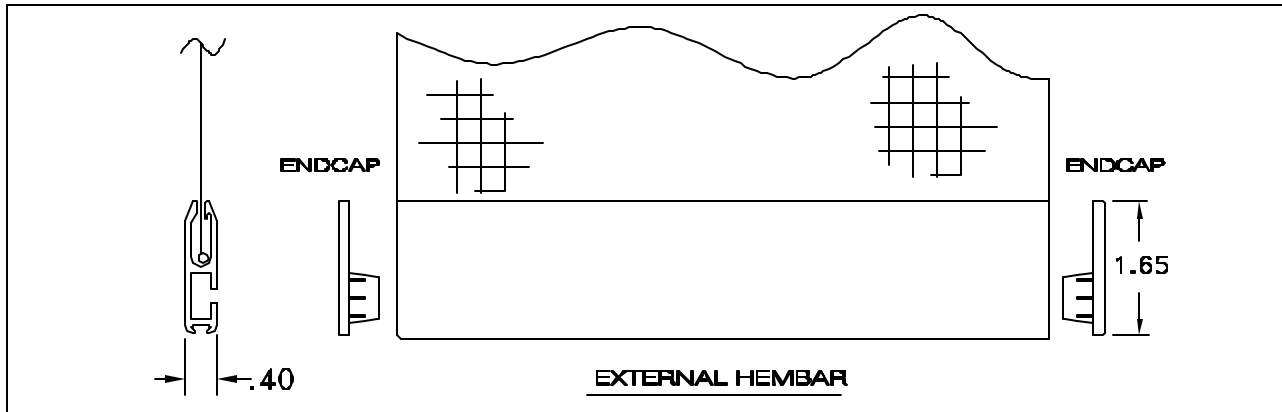
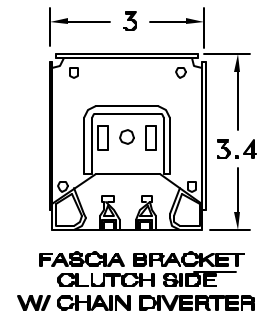
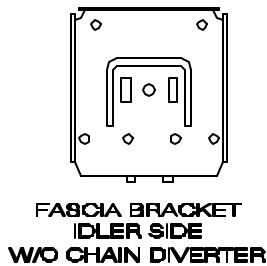
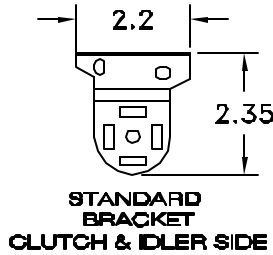
## BRACKET COVER



CLUTCH MODEL	TUBE SIZE	A	B	C	D	E	F	G	H
C-8	1-1/4"	2.6	1.6	1.25	2.2	.34	2.3	1.94	2.47
C-16	1-1/2"	2.98	1.6	1.25	2.2	3.08	2.67	2.6	2.47
C-30 2" adapter	2" w/adapter	2.98	1.6	1.25	2.2	3.06	2.67	2.6	2.47

**NOTE:**  
ALL BRACKETS  
WILL ACCOMMODATE  
C8-B, SC16 &  
C30 CLUTCHES.

## BRACKETS



**WindowTex**  
www.windowtex.com

7 Roselle Street - Mineola, NY 11501  
PH 516-294-3580 - FX 516-294-0444