

Product and Price Guide



7 Roselle Street
Mineola, NY 11501
PH 516-294-3580
FX 516-294-0444
www.windowtex.com

Table of Contents

Common Terms and Definitions	2 - 3
Shade Pricing Guide	4 - 12
How to Use the Pricelist	4
Fabric Group Tables	5
Group 1 & 1A	6
Group 2 & 3.....	7
Group 4 & 4A	8
Group 5 & 5A	9
Group 6 & 7.....	10
Group 8A, 8B, & 8C	11
Roman Group A & B.....	12
Accessory Price List	13 - 17
Shade Options and Accessories	13
Motors and Accessories	14
Motor Controls.....	15
Gear, Spring, and Chain Components.....	16
Metal and Accessories	17
Specifications and Drawings	18 - 22
Total Nolite System (TNS).....	18
Clutch Hardware Specifications	19
Bottom up and Dual Shades	20
Pocket, Flap, and Brackets.....	21
Motorization	22
Warranty and Terms	23

WindowTex... The Authority in Roller and Motorized Shade Systems



Common Terms and Definitions

Manual Systems

Clutch Assist:	special clutch/spring combination which reduces pull force on large shades
Gear Operator:	gearbox with crank handle to raise/lower shade
Bottom-up:	shade mounted at bottom; raised & lowered with pulleys and side cords with cleats
External Hembar:	metal bottom bar mounted externally at bottom of shade
C8 -1 1/4":	C-series chain-driven clutch with 8 lb lift capacity used with 1 1/4" roller tube
C16 -1 1/2":	C-series chain-driven clutch with 16 lb lift capacity used with 1 1/2" roller tube
C30 - 2":	C-series chain-driven clutch with 30 lb lift capacity used with 2" roller tube
Duo:	combination top-down & bottom up roman operation; cord only
Bracket cover:	plastic cap covering standard clutch roller bracket; for outside mount only
C8 to C16 upgrade:	option to substitute a C16 for a C8 clutch; often so shades match when side-by-side
C16 to C30 upgrade:	option to substitute a C30 for a C16 clutch
Piggyback bracket:	bracket for two clutch rollers mounted one above the other
Tandem bracket:	bracket for two clutch rollers, side by side

Top Treatments & Channels

Valance:	plastic clear-edged housing with fabric insert over front of shade roller
Fascia:	metal enclosure over front of shade roller with bottom return; installed w/box brackets
TB cover:	metal enclosure over top & back of shade roller; installed w/box brackets
Side channel:	metal channel with internal brushes to block light at sides of shades
Sill channel:	metal channel mounted on sill to block light at bottom of shade
TNS:	Total Nolite System - shade with fascia, TB cover, side & sill channel
Fascia end cap:	plastic cap covering fascia clutch roller bracket; for outside mount only
Pocket:	3-sided metal channel w/detachable bottom flap; generally recessed into ceiling
Flap:	detachable bottom closure piece for use with pocket or hanger
Hanger:	Independent metal strip onto which the bottom flap attaches
Pocket end plate:	metal end plate to close open end of pocket (w/ screws)



Common Terms and Definitions

Motorized Systems

MA200:	electric motor to raise /lower shade; 110VAC; 2 3/8" roller
MA150:	electric motor to raise /lower shade; 110VAC; 1 1/2" roller
FreedomMotor MD2000:	battery powered electric motor system w/built-in remote control
Transmitter:	hand-held control device to operate motors
Plug & Play:	remote control system that plugs into standard outlet; no special wiring required
Center Support:	hardware to link together two or more shades so they operate in unison; w/1 motor or gear operator
Multiband:	linking together two or more shades so that they operate in unison; driven by one motor or gear operator
Rocker switch:	small rocker-type center-off 3-position switch: requires special wall plate
Decora switch:	large decorative rocker-type switch; uses standard Decora wall plates
Switch - SPDT:	controls one motor or one or more group controls
Switch - DPDT:	controls up to two motors in unison
Maintain switch:	switch which when pressed & released remains in the on position (maint)
Momentary switch:	switch which requires constant contact to keep in the on position (mom)
Group control:	device which enables the operation of up to 4 motors in unison on a single switch; multiple group controls can be wired together to operate as many individual shades as necessary
Disconnect plug:	male plug attached to end of motor line cord allowing for easy disconnect
Lead:	cable w/ female plug attached to one end to connect w/disconnect plug; to be hard-wired
Hard-wired:	wired with permanent electrical connections
Home-run:	direct line from shade motor to switch or group control

Shade Options & Accessories

SSP:	Sealed Slat Pocket - hembar pocket heat-sealed at both ends
Scallop:	decorative pattern cut along bottom hem of shade
Trim:	decorative woven strip glued to bottom edge of scallop
Slat trim:	trim applied along seal line of slat pocket
Cut-out:	fabric cut from side & bottom of shade to clear an obstruction when lowering
Dual:	shade with 2 layers for fabric on same roller; attached at bottom with special hembar
Batten:	stiffener in heat-sealed pocket to provide shade with greater rigidity
Upholstered Cornice:	wood piece w/headboard padded and upholstered with fabric

WindowTex Accessory Price List

Shade Options and Accessories

Options

Type	Price
Straight Trim Only	\$8/ft
Scallop and Trim	\$16/ft
Simple Cutout	\$50
Battens	\$12/ft
SSP (Sealed Slat Pocket)	\$12
Upholstered Cornice 4" HT	\$25/ft
Upholstered Cornice 6" HT	\$32/ft

Pulls

Part #	Type	Color	Price
SPG-C	Grip	Clear	\$1
SPR-AB	Ring Pull	Ant. Brass	\$3
SPR-BB	Ring Pull	B. Brass	\$3
SPR-S	Ring Pull	Silver	\$3
SPC-W	Crochet Pull w/ Higbee	Ivory	\$3
SPC-V	Crochet Pull w/ Higbee	White	\$3
SCT-W	Cord and Tassel (24")*	White	\$3
SCT-BK	Cord and Tassel (24")*	Black	\$3
SES	Eyelet in Slit	Silver	\$2

* eyelet required

Fabric Options

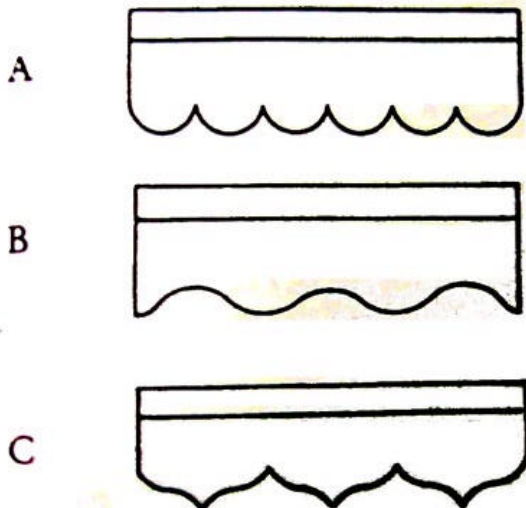
Shade Band Only – Shade Grid less 10%
Shade Panel (Pockets T & B) – Shade Grid less 5%
Fabric Panel (no pockets) – Shade Grid less 15%

Dual Shade

Dual Shade – Price as 2 Shades
Front Fabric – Full Price
Back Fabric – less 25%

Multiband

Multiband (standard brackets)
Price first band as motorized or gear shade
Price Additional bands as manual Shades
Apply \$75 per band
Multiband (fascia brackets)
Price first band as motorized or gear shade
Additional bands as manual shades
Apply \$100 per band





WindowTex Accessory Price List

Motors and Accessories

Motors

Part #	Type	Color	Price
MA504	110VAC - 35 lb	N/A	\$570
MA506	110VAC - 52 lb	N/A	\$620
MA510	110VAC - 88 lb	N/A	\$770
MA506PP	110VAC w/RF rec'r	N/A	\$875
MD2000	9VDC w/IR rec'r (batt op)	N/A	\$400

Disconnect plug

ML1DP	male plug/1 ft on motor	N/A	\$35
-------	-------------------------	-----	------

Leads

ML6FO	6 ft female/open	white	\$65
ML15FO	15 ft female/open	white	\$85

Plug & Lead

DPL6	disconnect plug & 6 ft lead	white	\$100
------	-----------------------------	-------	-------

Clutch Components

Clutches

Part #	Type	Color	Price
C8-W	8 lb - 1.25"	white	\$25
C16-W	16 lb - 1.5"	white	\$40
C30-W	30 lb - 2"	white	\$60
C8-BK	8 lb - 1.25"	black	\$25
C16-BK	16 lb - 1.5"	black	\$40
C30-BK	30 lb - 2"	black	\$60

Brackets (pr)

C300	standard	silver	\$4
R580	for clutch assist	silver	\$6
CF350-W	fascia	white	\$30
CF350-BZ	fascia	bronze	\$30
CF350-S	fascia	silver	\$30
CPP300	piggyback	white	\$50
CTM300	tandem	white	\$50
CTM350FW	tandem/fascia	white	\$75

Bracket Cover (pr)

CBC300-W	for C300	white	\$2
CBC300-BK	for C300	black	\$2

Brackets

Part #	Type	Color	Price
MBX11	motor bracket	silver	\$25
MBX12	idler bracket	silver	\$25
MBX21	motor bracket (fascia)	white	\$40
MBX22	idler bracket (fascia)	white	\$40
MBX31	piggyback motor bracket	silver	\$65
MBX32	piggyback idler bracket	silver	\$65

Idlers

MS10	spring idler	ivory	\$30
------	--------------	-------	------

Center Supports

MCX15	center support kit	silver	\$75
MCX25	center support kit (fascia)	white	\$90
MCX35	center support kit (piggybk)	silver	\$200

Clutch Assist

Part #	Type	Color	Price
CA30R	45" CR	white	\$200
CA30L	45" CL	white	\$200

Idlers

CS12	1.25"	white	\$3
CS15	1.5"	white	\$5

Adapters

CD20	2"	ivory	\$10
------	----	-------	------

Clutch kits

CKT8	clutch, brax & idler	white	\$32
CKT16	clutch, brax & idler	white	\$49
CKT30	clutch, brax & idler	white	\$69

Fascia End Cap (pr)

CFC350-W	for CF350-W	white	\$10
CFC350-V	for CF350-V	ivory	\$10
CFC350-BZ	for CF350-BZ	bronze	\$10
CFC350-S	for CF350-S	silver	\$10



WindowTex Accessory Price List

Motor Controls

Rocker Wall Switches

Part #	Type	Color	Price
SWR1A-V	SPDT/ maint	ivory	\$50
SWR1B-V	SPDT/ mom	ivory	\$50
SWR2A-V	DPDT/ maint	ivory	\$100
SWR2B-V	DPDT/ mom	ivory	\$100
SWR1A-W	SPDT/ maint	white	\$50
SWR1B-W	SPDT/ mom	white	\$50
SWR2A-W	DPDT/ maint	white	\$100
SWR2B-W	DPDT/ mom	white	\$100

Decora Wall Switches

Part #	Type	Color	Price
SWD1A-V	SPDT/ maint	ivory	\$50
SWD1B-V	SPDT/ mom	ivory	\$50
SWD2A-V	DPDT/ maint	ivory	\$100
SWD2B-V	DPDT/ mom	ivory	\$100
SWD1A-W	SPDT/ maint	white	\$50
SWD1B-W	SPDT/ mom	white	\$50
SWD2A-W	DPDT/ maint	white	\$100
SWD2B-W	DPDT/ mom	white	\$100

Relay & Interface Modules

Part #	Type	Color	Price
PRM100	parallel relay module	N/A	\$100
AVI100B	AV interface (board)	N/A	\$185
AVI100J	AV interface (jbox mount)	N/A	\$210
AVI100PP	AV interface (plug & play)	N/A	\$300

Wall Plates

Part #	Type	Color	Price
PLR1V	rocker single gang	ivory	\$3
PLR2V	rocker 2 gang	ivory	\$6
PLR3V	rocker 3 gang	ivory	\$9
PLR1W	rocker single gang	white	\$3
PLR2W	rocker 2 gang	white	\$6
PLR3W	rocker 3 gang	white	\$9

Group Controls

Part #	Type	Color	Price
AGC100	4 mot group (8 X 8 box)	grey	\$500
AGC200	4 mot indiv/group (10 X 10)	grey	\$700

Keypads

Part #	Type	Color	Price
IRK6	IR wall mount (6 ch)	white	\$400
IRK24	IR wall mount (24 ch)	white	\$400

Remote Receivers

Part #	Type	Color	Price
IR60B	IR rec'r module (board)	N/A	\$275
IR60J	IR rec'r module (jbox mt)	N/A	\$300
IR60PP	IR rec'r module (plug/play)	N/A	\$500

Eyes

Part #	Type	Color	Price
IRE24	IR extend eye - 24"	white	\$25
IREBX	IR extend eye (in box)	white	\$40
MDE12	extend eye - 12" (MD2000)	silver	\$40

Transmitters

Part #	Type	Color	Price
MDX3	MD handheld (3 ch)	black	\$45
IRX24	IR handheld (24ch)	black	\$125
RFXI	RF handheld (1 ch)	ivory	\$160
RFX4	RF handheld (4 ch)	ivory	\$210
RFW1-V	RF wall switch (1 ch)	ivory	\$405
RFW4-V	RF wall switch (4 ch)	ivory	\$430
RFW1-W	RF wall switch (1 ch)	white	\$405
RFW4-W	RF wall switch (4 ch)	white	\$430

IR Cables

Part #	Type	Color	Price
IRCM25	cable (w/o plugs) - 25 ft	silver	\$20
IRCMP	modular plug only	clear	\$0.75
IRCMJ12	modular jumper cable - 12"	silver	\$10



WindowTex Accessory Price List

Gear Components

Gear Operator

Part #	Type	Color	Price
GR410L	gear operator brax w/loop	white	\$250
GI10	roller insert - gear side	ivory	\$25

Idler side

GR420	idler bracket	white	\$50
GI20	roller insert - idler side	ivory	\$25

Crank Handles

Part #	Type	Color	Price
GHH4	4 ft (w/hook)	silver	\$125
GHH6	6 ft (w/hook)	silver	\$125
GHH8	8 ft (w/hook)	silver	\$165
GHH10	10 ft (w/hook)	silver	\$205

Spring Rollers and Components

Brackets

Part #	Type	Color	Price
SX100	1" IB	silver	\$1.50
SX110	1" univ	silver	\$2.50
SX115	1" locking	silver	\$2.50
SX210	1 3/8" univ	silver	\$3
SX215	1 3/8" locking	silver	\$3
SX315	1 3/4" locking	silver	\$4
SXF115W	fascia 1" locking	white	\$30
SXF215W	fascia 1 3/8" locking	white	\$35

Idlers

Part #	Type	Color	Price
SD100	1"	white	\$1.25
SD200	1 3/8"	white	\$2.50
SD300	1 3/4"	white	\$3

Spring Only

Part #	Type	Color	Price
S100	1" regular	N/A	\$12
S150	1" single notch	N/A	\$12
S200	1 3/8" regular	N/A	\$25
S250	1 3/8" single notch	N/A	\$25
S300	1 3/4" regular	N/A	\$35
S350	1 3/4" single notch	N/A	\$35

Spring Roller Kits (roller w/idler-no brax)

Part #	Type	Color	Price
SKT100-37	1" regular- 37"	N/A	\$16
SKT100-46	1" regular- 46"	N/A	\$19
SKT100-55	1" regular- 55"	N/A	\$21
SKT100-73	1" regular- 72"	N/A	\$24

Chain and Components

Chain Connectors

Part #	Type	Color	Price
CHC10-S	#10 metal	silver	\$0.50
CHC10-W	#10 metal	white	\$0.60
CHC10-BK	#10 metal	black	\$0.60

Bead Stops and Chain Holder

Part #	Type	Color	Price
CHS10	bead stop #10 alum	silver	\$0.25
CHD10	chain holder (polycarb)	clear	\$1

Chain

Part #	Type	Color	per ft	Full Roll
CH10NPS	#10 NP steel	silver	\$0.50	\$200 (500')
CH10NPB	#10 NP brass	silver	\$0.75	\$300 (500')
CH10BB	#10 brite brass	brass	\$0.75	\$300 (500')
CH10AB	#10 ant brass	bronze	\$0.75	\$300 (500')
CH10PW	#10 plastic	white	\$0.60	\$400 (820')
CH10PBK	#10 plastic	black	\$0.60	\$400 (820')



WindowTex Accessory Price List

Metal and Accessories

Rollers

Part #	Type	Color	Full Length	Cut Len
RT10	1.0" steel w/tape	white	\$44 (16')	\$3.75/ft
RT12	1.25" al w/tape	silver	\$63 (18')	\$4.60/ft
RT15	1.50" al w/tape	silver	\$72 (18')	\$5.50/ft
RT20	2.0" alum w/tape	silver	\$81 (12')	\$9/ft
RT23	2.375" al w/tape	silver	\$176 (20')	\$15/ft
RT30	3.0" steel w/tape	silver	\$250 (16')	\$16.50/ft

Hembars

Part #	Type	Color	Full Length	Cut Len
HBM1	alum 1" x 1/8"	silver	\$19.80 (18')	\$1.50/ft
HBW1	wood 1" x 3/16"	nat	\$7.20 (6')	\$1.60/ft
HBX-W	external	white	\$135 (18')	\$10/ft
HBX-BZ	external	bronze	\$135 (18')	\$10/ft
HBX-S	external	silver	\$135 (18')	\$10/ft

Hembar Endcaps

Part #	Type	Color	Price
HEC-W	external	white	\$5 (10 pc)
HEC-BK	external	black	\$5 (10 pc)
HEC-SC	external (side ch)	black	\$5 (10 pc)
HIC-CL	internal	clear	\$5 (10 pc)

Hembar Weights

Part #	Type	Color	Price
HWE12	external 12"	silver	\$1
HWI12	internal 12"	silver	\$1

Pocket, Flap, and Hanger

Part #	Type	Color	Full Length	Cut Len
CPF45	4.75" w/3" flap	white	\$280 (10')	\$38/ft
CPF35	3.5" w/2" flap	white	\$240 (10')	\$32/ft
CP45	4.75" pocket only	white	\$200 (10')	\$27/ft
CP35	3.5" pocket only	white	\$160 (10')	\$21/ft
CF3	3" flap	white	\$80 (10')	\$11/ft
CF2	2" flap	white	\$80 (10')	\$11/ft
CHR23	hanger	white	\$80 (10')	\$11/ft

Pocket End Caps (w/screws)

Part #	Type	Color	Price
CPEC45	end cap - 4.75"	white	\$20
CPEC35	end cap - 3.5"	white	\$16

Fascia

Part #	Type	Color	Full Length	Cut Len
F35-W	3.5"	white	\$135 (18')	\$10/ft
F35-V	3.5"	ivory	\$135 (18')	\$10/ft
F35-BZ	3.5"	bronze	\$135 (18')	\$10/ft
F35-S	3.5"	silver	\$135 (18')	\$10/ft
F35-BK	3.5"	black	\$135 (18')	\$10/ft

TB Cover

Part #	Type	Color	Full Length	Cut Len
TB35-W	TB cover	white	\$750 (10')	\$10/ft
TB35-BZ	TB cover	bronze	\$750 (10')	\$10/ft
TB35-S	TB cover	silver	\$750 (10')	\$10/ft

Side/Sill Channel (cut supplied w/brush)

Part #	Type	Color	Full Length	Cut Len
SC25-W	2.5"	white	\$180 (18')	\$15/ft
SC25-V	2.5"	ivory	\$180 (18')	\$15/ft
SC25-BZ	2.5"	bronze	\$180 (18')	\$15/ft
SC25-S	2.5"	silver	\$180 (18')	\$15/ft
SC25-BK	2.5"	black	\$180 (18')	\$15/ft
SC15-W	1.5"	white	\$180 (18')	\$15/ft
SC15-V	1.5"	ivory	\$180 (18')	\$15/ft
SC15-BZ	1.5"	bronze	\$180 (18')	\$15/ft
SC15-S	1.5"	silver	\$180 (18')	\$15/ft
SC15-BK	1.5"	black	\$180 (18')	\$15/ft

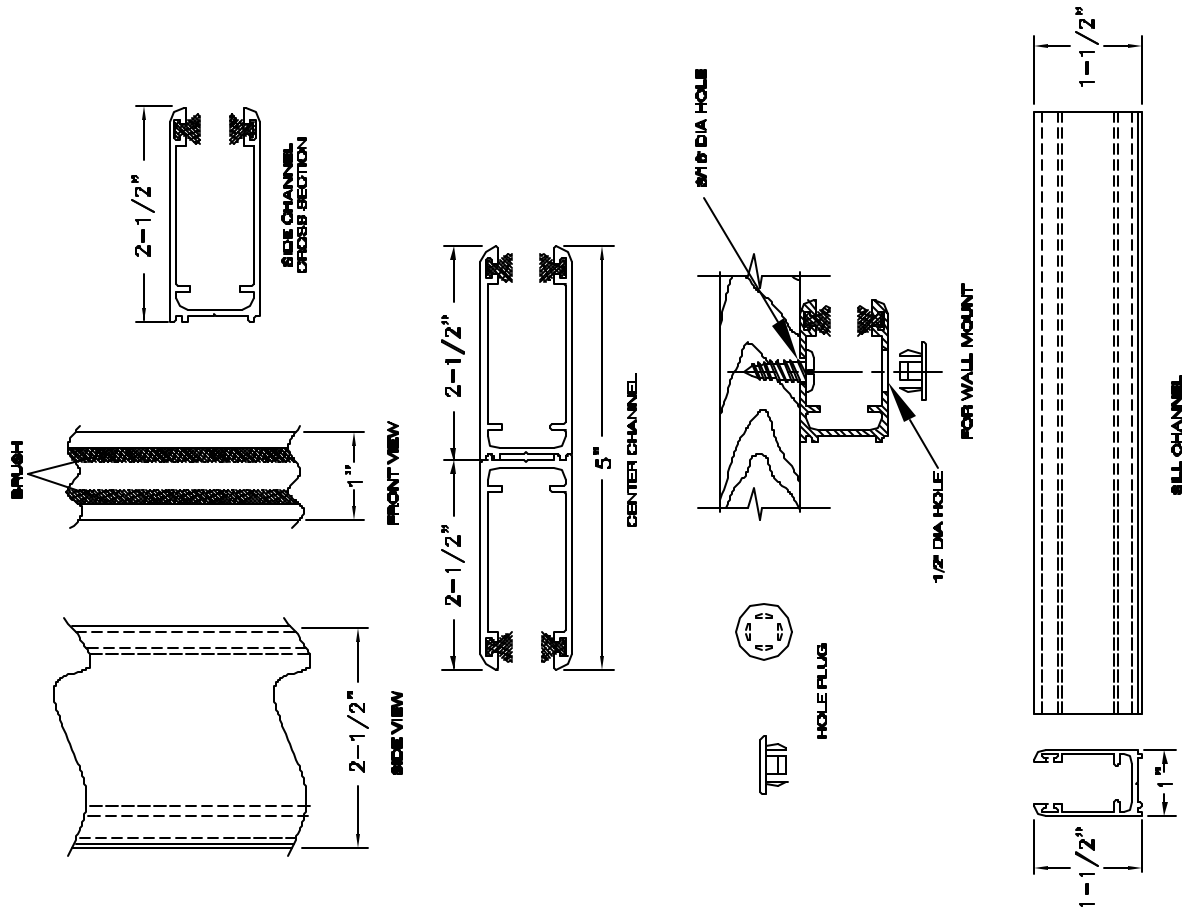
Side Channel Brush

Part #	Type	Color	Price
SCB-G	brush	grey	\$40 (100')
SCB-W	brush	white	\$40 (100')
SCB-BK	brush	black	\$40 (100')

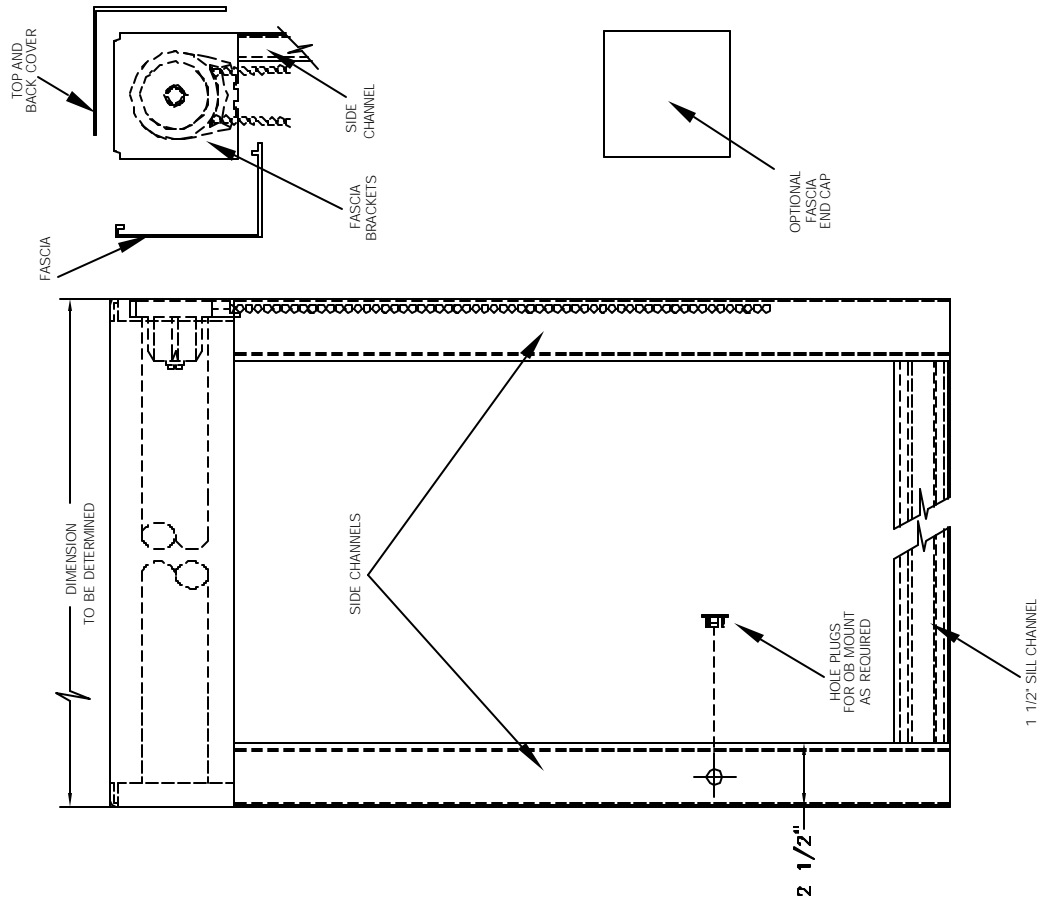
Side Channel Hole Plugs

Part #	Type	Color	Price
SHP-W	hole plug	white	\$2.50 (10pc)
SHP-V	hole plug	ivory	\$2.50 (10pc)
SHP-BZ	hole plug	bronze	\$2.50 (10pc)
SHP-S	hole plug	silver	\$2.50 (10pc)
SHP-BK	hole plug	black	\$2.50 (10pc)

SIDE AND SILL CHANNELS



TNS TOTAL NOLITE SYSTEM

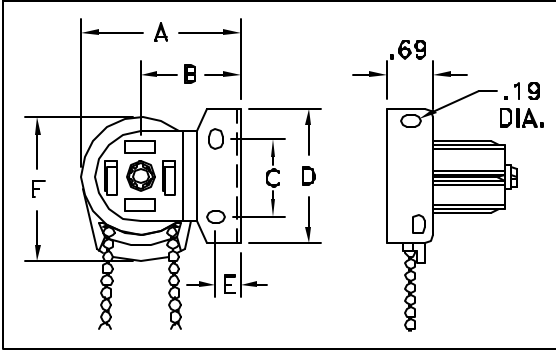


WindowTex
www.windowtex.com

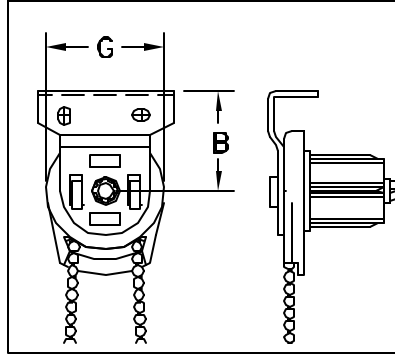
7 Roselle Street - Mineola, NY 11501
PH 516-294-3580 - FX 516-294-0444

CLUTCH HARDWARE SPECIFICATIONS

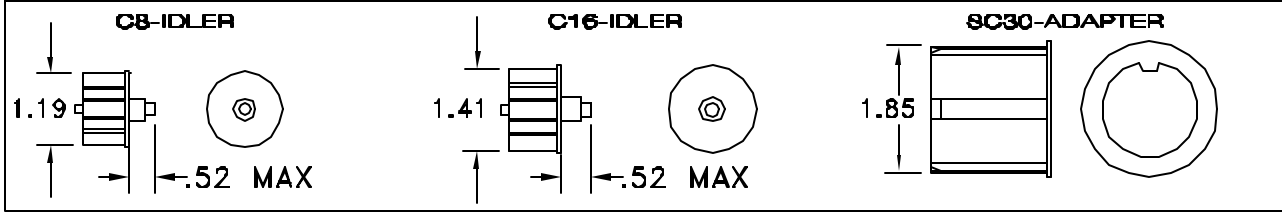
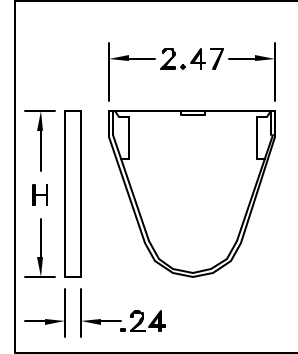
WALL or INSIDE MOUNT



CEILING MOUNT



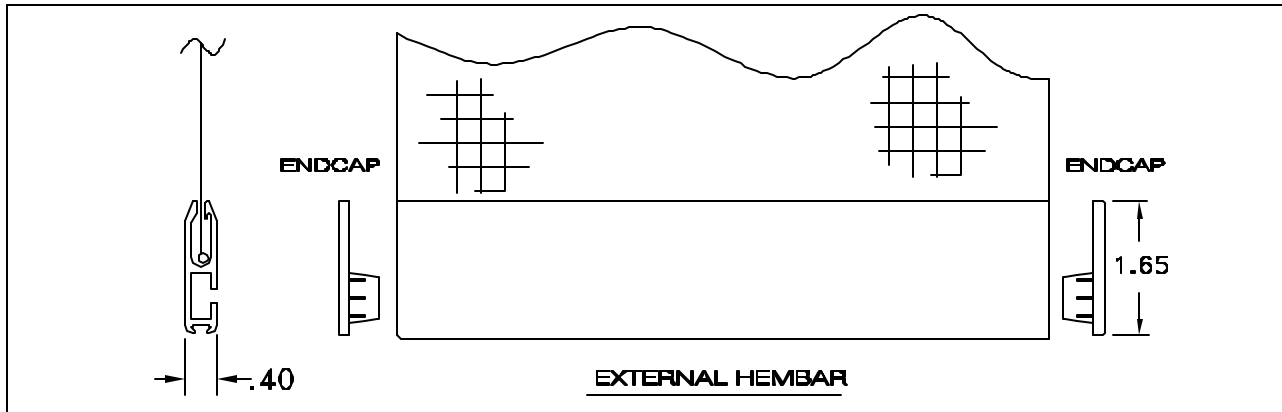
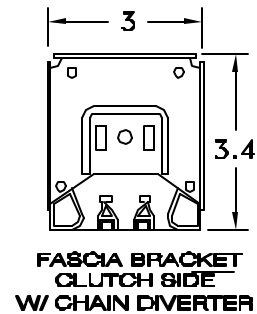
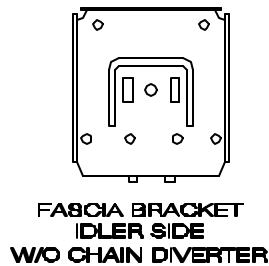
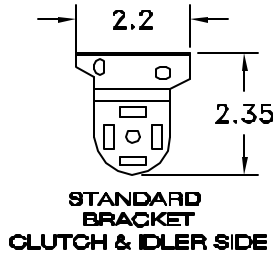
BRACKET COVER



CLUTCH MODEL	TUBE SIZE	A	B	C	D	E	F	G	H
C-8	1-1/4"	2.6	1.6	1.25	2.2	.34	2.3	1.94	2.47
C-16	1-1/2"	2.98	1.6	1.25	2.2	3.08	2.67	2.6	2.47
C-30 2" adapter	2" w/adapter	2.98	1.6	1.25	2.2	3.06	2.67	2.6	2.47

NOTE:
ALL BRACKETS
WILL ACCOMMODATE
C8-B, SC16 &
C30 CLUTCHES.

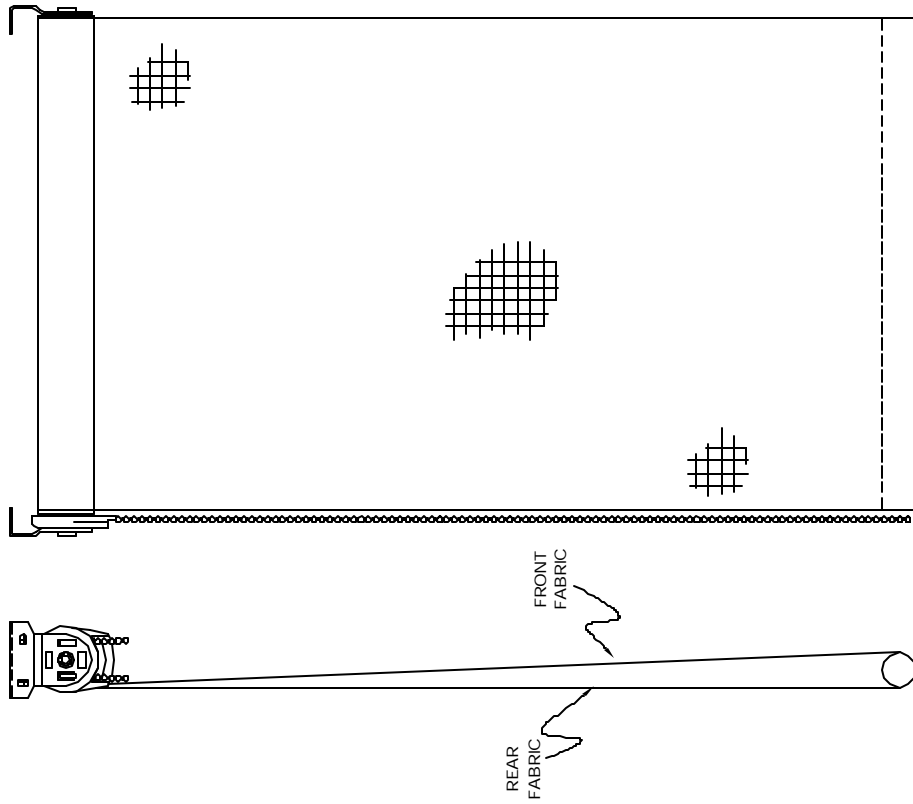
BRACKETS



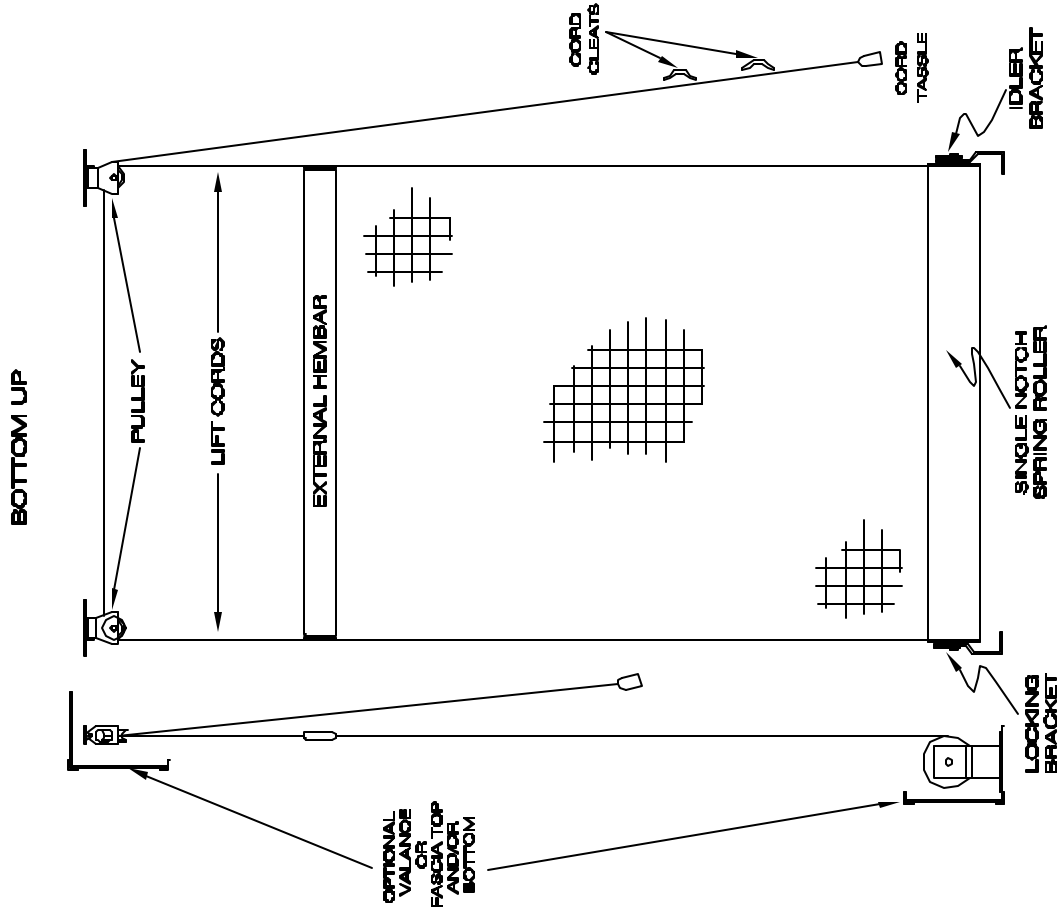
WindowTex
www.windowtex.com

7 Roselle Street - Mineola, NY 11501
PH 516-294-3580 - FX 516-294-0444

DUAL SHADE



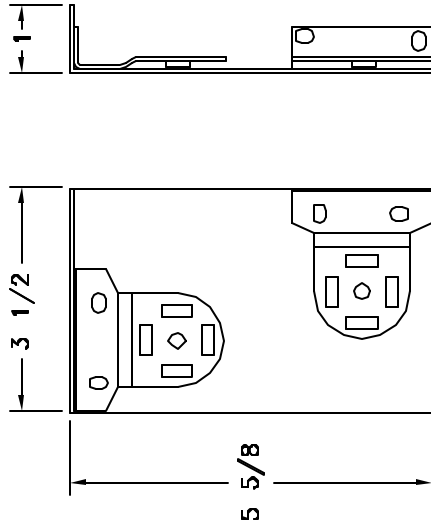
BOTTOM UP SHADE



WindowTex
www.windowtex.com

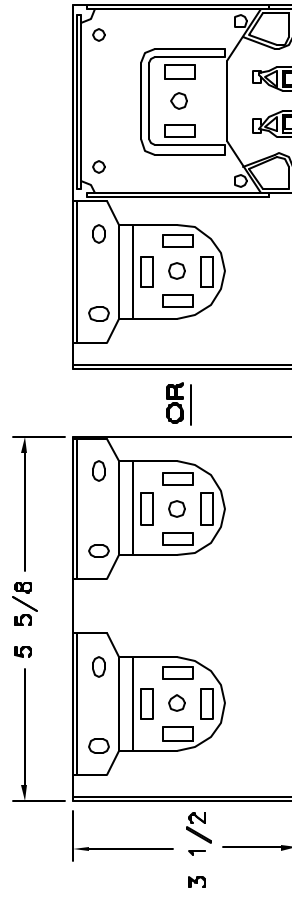
7 Roselle Street - Mineola, NY 11501
PH 516-294-3580 - FX 516-294-0444

DUPLEX CLUTCH BRACKETS - PIGGYBACK AND TANDEM



PIGGYBACK BRACKET ASSEMBLY
TOP MOUNT

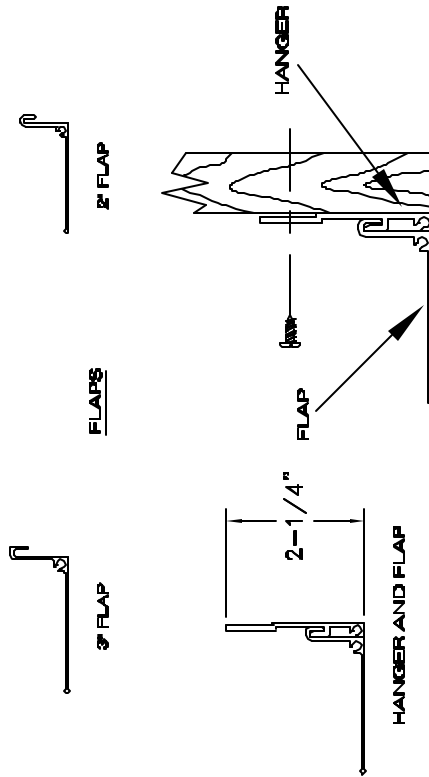
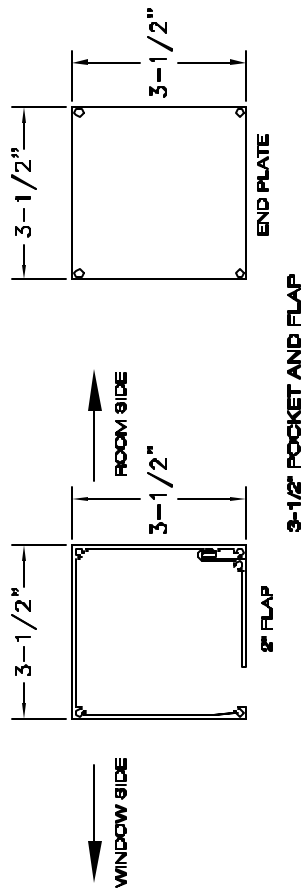
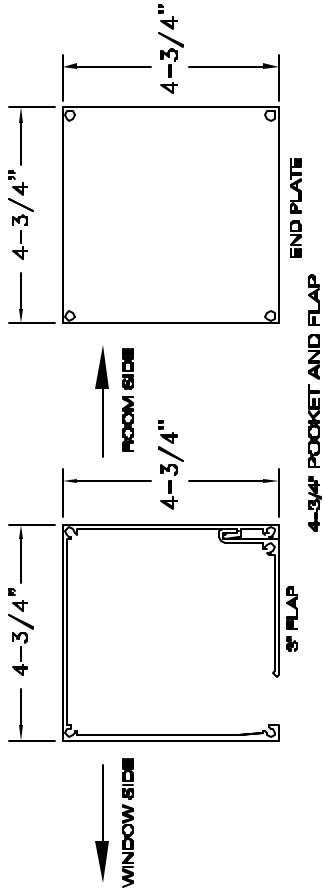
NOTE!
BRACKETS ARE UNIVERSAL
CAN ACCOMMODATE
CLUTCH AND IDLER



W/ OPTIONAL FRONT FASCIA

TANDEM-WALL MOUNT BRACKET ASSEMBLY

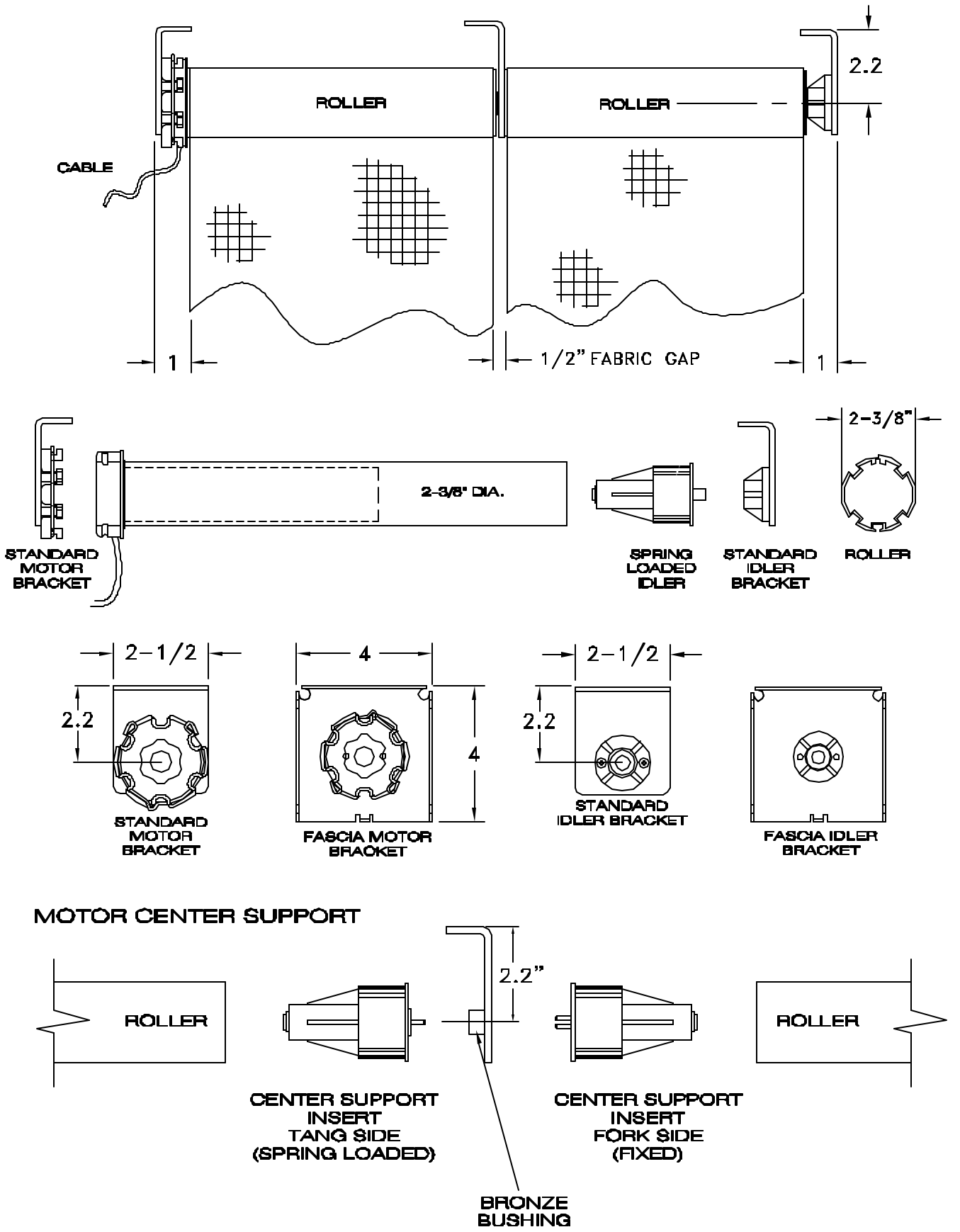
POCKET AND FLAP SYSTEMS



WindowTex
www.windowtex.com

7 Roselle Street - Mineola, NY 11501
PH 516-294-3580 - FX 516-294-0444

MA200 MOTORIZED SHADE-W/2-3/8" ROLLER



WindowTex
www.windowtex.com

7 Roselle Street - Mineola, NY 11501
PH 516-294-3580 - FX 516-294-0444



WindowTex Warranty and Terms

LIMITED WARRANTY

WindowTex (formally WindowCraft, Inc.) does hereby warrant that WindowTex shading systems including fabrics and components are specially formulated to withstand fading, soiling, mildew and that they will remain dimensionally stable and operable for a period of five (5) years from the date of purchased when installed and used properly as stated in the instructions.

This limited warranty does not cover damage caused by improper installation or use, nor damage caused by accidents, alterations, normal wear and tear, direct exposure to corrosive materials, misuse, abuse or acts of God.

Should the shading system warrantee not be represented, WindowTex will repair or replace at our decision the shading system at no charge upon return of the defective shading system or part thereof to our factory.

This warranty is limited to repairs or replacement only and does not include or warrant the cost of removing, packaging, reinstalling or any other cost of materials or labor other than to repair or replace the shading system and return it to the customer using standard shipping.

This warranty constitutes the entire obligation of WindowTex and is independent of any other warranty made by a dealer, retailer, electrician, or installer.

TERMS & CONDITIONS

Placing Orders: All prices are suggested retail prices effective February 1, 2004 and are subject to dealer discount. Orders are accepted by phone (877-294-3580), by fax (516-294-0444), or online (www.windowtex.com). It is the dealer's responsibility to check, verify and confirm that all items that are specified on the written quote are included and correct.

Changing Orders and Cancellations: All WindowTex shading systems are custom made and once production has been started the order cannot be cancelled. Changes may be possible depending on how far along it is in production and may result in additional charges. Any charge or return of materials requires manager's approval.

Payment Terms: Credit Terms are net 30 days with approved credit. Each account seeking credit is required to complete a WindowTex Credit Application. Until such credit is approved all orders will be Prepaid, COD, Major Credit Cards, or 50% deposit and the balance COD or paid prior to shipping. All orders over \$10,000 will require a 50% deposit. NO orders will be processed if there are unpaid invoices older than 45 days.

Shipping Policy: All shipments are FOB Mineola, NY. Small packages will be shipped by UPS, Federal Express. UPS Next Day Air and Second Day Air are available at an extra charge. Large orders and oversized packages will be shipped via a common carrier of WindowTex's choice unless otherwise specified.

Damages and Shortages: Recipient should inspect all cartons at the time of delivery for visible and possible concealed damage, refuse any part of shipment that is damaged and notify WindowTex immediately so replacement can be expedited. If the recipient signs that the contents are in good condition neither the carrier nor WindowTex are responsible to correct any damage. All orders should be opened and checked for damage and completeness before delivery to jobsite.